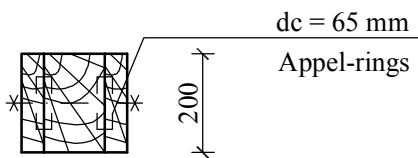
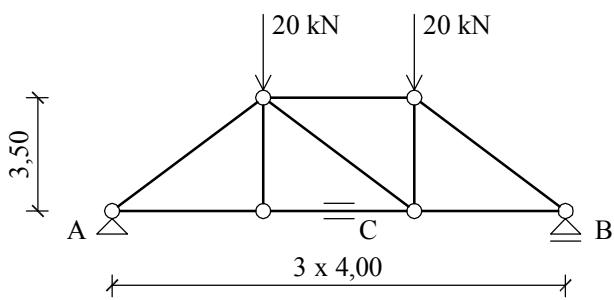
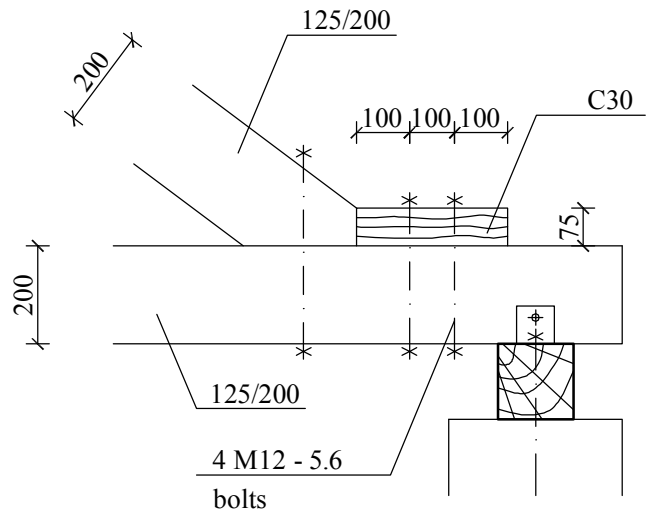
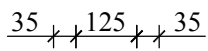


# TIMBER STRUCTURES - HOMEWORK 1. - deadline: 09.03.2012.



$$k_{c,90} = (2,38 - 1/250) (1 + h/6l)$$



C20 material, 2nd service class, medium-term load.

- Check carpenter joint at point B! [2 p]
- Check bolted connection at point B! Only formulas e) and f) are needed. [1 p]
- Design ring connection at point C! [2 p]