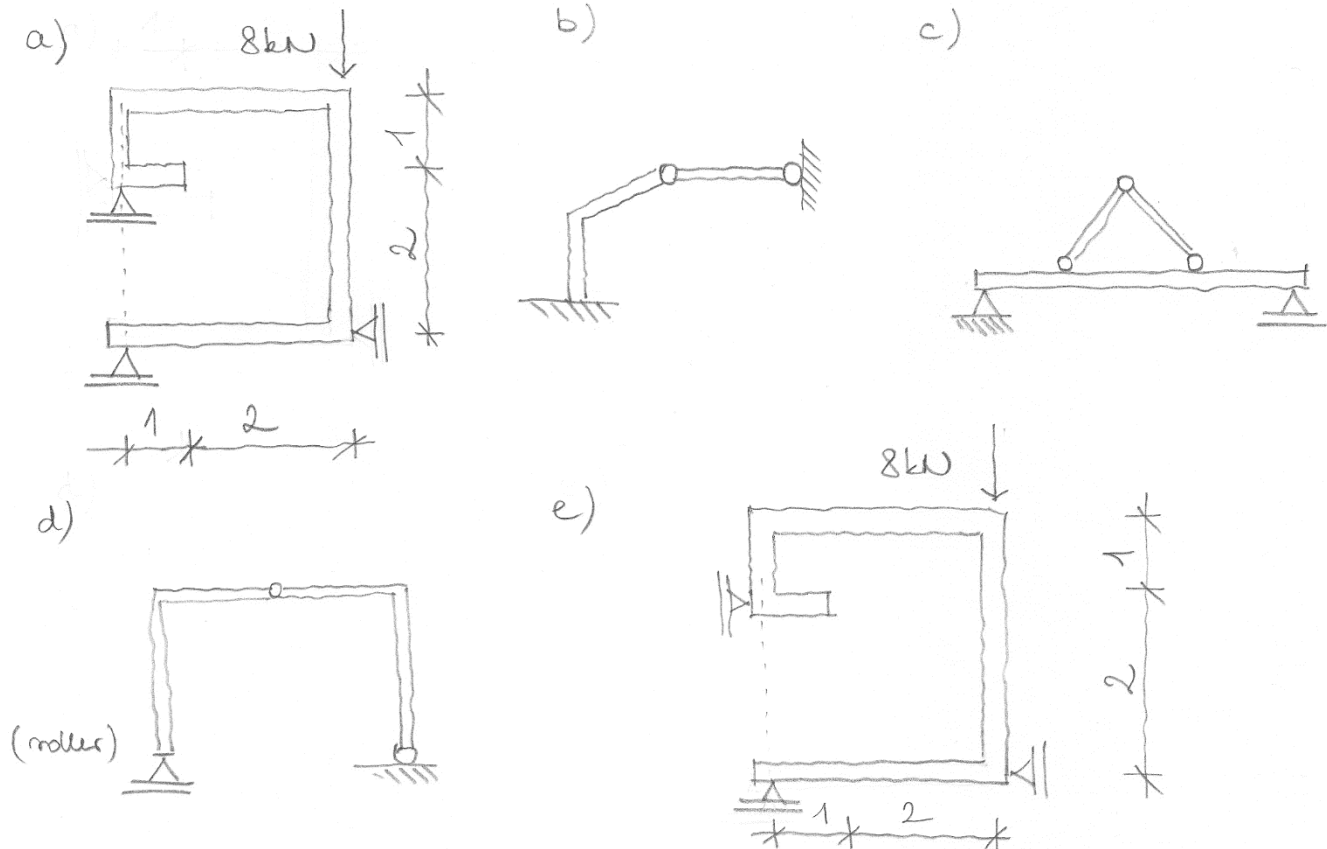


## Static determinacy

*please solve all exercises for max point! deadline 21/11/2017*

1. Compare the number of unknowns and equations in the given examples below! What can you say about the static determinacy of these structures?



2. For structure (a) and (e) write the equilibrium equations in matrix form and calculate the determinant of the matrix (you can use internet)! What is the conclusion?
3. Determine the static determinacy of structure (b), (c) and (d) using the 3 rules of "construction"!