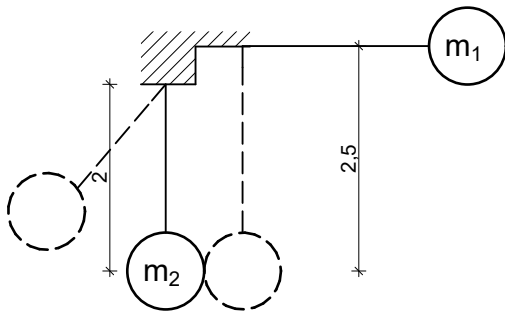


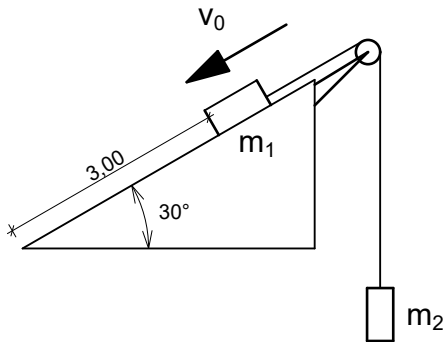
Mechanical energy practice problems



The masses of the balls are $m_1=2$ kg and $m_2 = 3$ kg. The collision is perfectly elastic.

- What is the speed of the first ball (m_1) before the collision?
- What is the speed of the first ball after the collision?
- How high is the second ball going up?

-
- 7,07 m/s (\leftarrow)
 - 1,4142 m/s (\rightarrow)
 - 1,6 m



The masses are $m_1=5$ kg and $m_2 = 2$ kg. The starting velocity is $v_0=1,5$ m/s. What will be the end velocity (after travelling 3 m)? There is no friction and the mass of the rope is negligible.

2,56 m/s