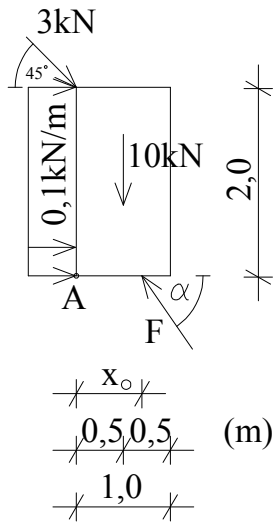


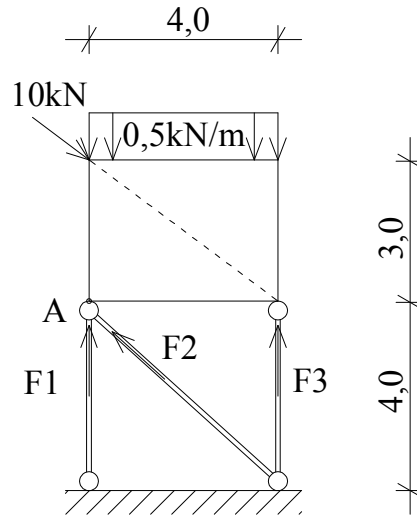
Resultant and equilibrium of a general coplanar force system

1)



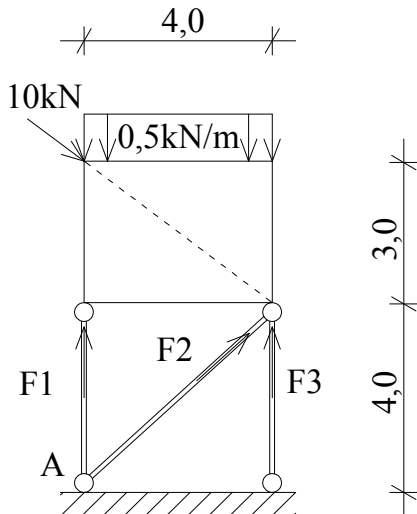
$F = ?$, $\alpha = ?$, $x_0 = ?$
if the box is in equilibrium?

2)



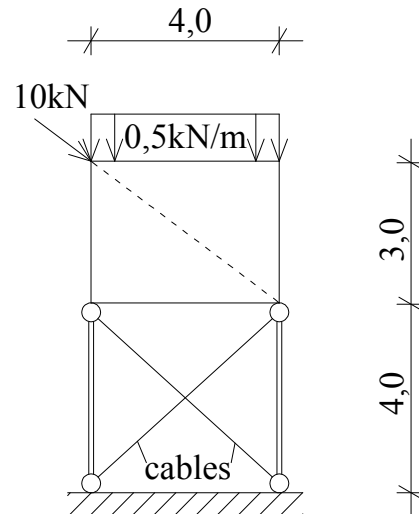
$F_1 = ?$, $F_2 = ?$, $F_3 = ?$

3)



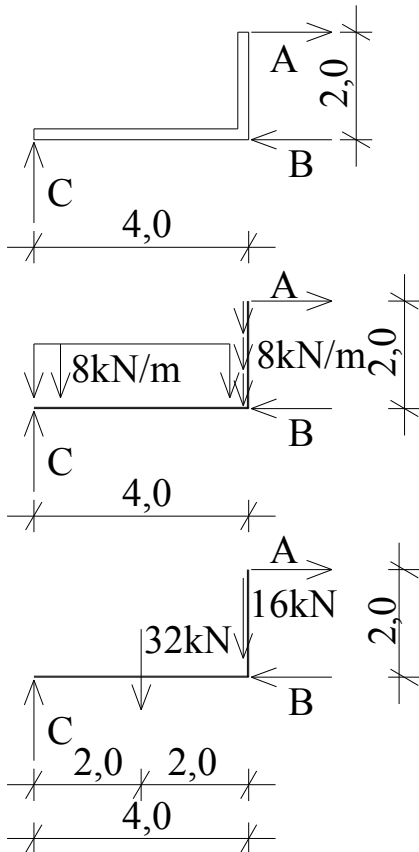
$F_1 = ?$, $F_2 = ?$, $F_3 = ?$

4)



How does this structure behave?

5) The weight of the beam is 8 kN/m. Determine A, B, and C !



6) The weight of the beam is 8 kN/m. Determine A, B, and C !

